

# PED 300

Fire rated



PED 300

- Panic exit device with central locking point - RIM

EN 1125 certification:



Characteristics

- Modular push bar type
- For Fire and Smoke applications
- High durability 200,000 cycles
- One central locking point
- For one or double leaf door up to 200 kg
- For all types of the door
- For doors up to 1200 mm width in standard
- For doors up to 1400 mm width in option
- Steel pulman latch in standard
- Dead latch in standard
- Steel or zinc alloy swing latch
- Zinc alloy cover 38 mm width
- Aluminium touch bar 1046 mm long
- Bar to be cut
- 73 mm projection
- HO function in option
- Micro switch version in option

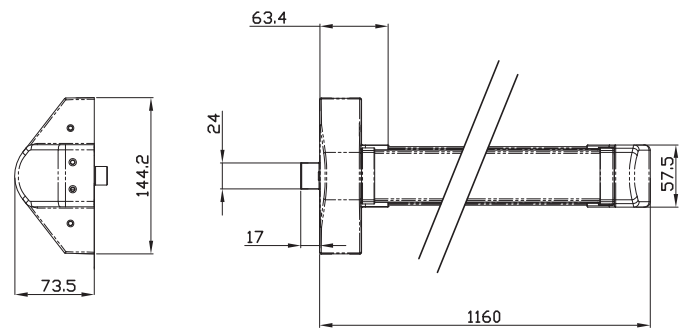


Accessories

- Outside trims Modular series
- Half cylinder (MKS possible)
- Various strikers
- Glass door installation kit

Finishes

- Covers:
- Black RAL 9005
  - Silver RAL 9006
  - S/Steel effect
- Bars:
- Red RAL 3000
  - Silver RAL 9006
  - S/Steel effect



Specification

| Outside device                                 | Blind plate | Modular lever handle |
|--|-------------|----------------------|
| No outside opening                             | •           |                      |
| Free passing door                              |             | •                    |
| Cylinder looking - knob / lever handle opening |             | •                    |
| Cylinder looking - key opening                 |             | •                    |

Ordering numbers

| Ordering number | Accessories     | Material | Description  |
|-----------------|-----------------|----------|--|
| PED 300/--/GG   | MNBT101M02SGGAA | push bar | central locking point PED with steel latch and dead latch, 1200 mm wide door, grey support and bar                                 |
| PED 300/--/NR   | MNBT101M02SNRAA | push bar | central locking point PED with steel latch and dead latch, 1200 mm wide door, black support and red bar                            |
| PED 300/--/SA   | MNBT101M02SSAAA | push bar | central locking point PED with steel latch and dead latch, 1200 mm wide door, s/steel effect support and s/steel effect bar        |
| PED 300/HO/GG   | MNBT111M02SGGAA | push bar | central locking point PED with steel latch and dead latch, 1200 mm wide door, grey support and bar - HO function                   |
| PED 300/HO/NR   | MNBT111M02SNRAA | push bar | central locking point PED with steel latch and dead latch, 1200 mm wide door, black support and red bar - HO function              |
| PED 300/HO/SA   | MNBT111M02SSAAA | push bar | central locking point PED with steel latch and dead latch, 1200 mm wide door, s/steel effect support and s/steel bar - HO function |